

# BASSO18



18" High Performance Direct Radiation Professional Subwoofer

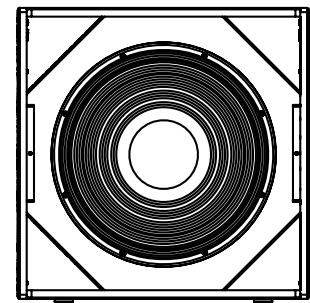
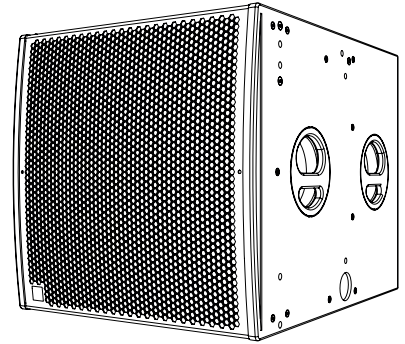
QuickStart Guide

Many key factors are to be considered when configuring the subwoofer section of a loudspeaker system to perfectly match each application: size/weight, logistic and operational setups, SPL needs, LF extension, cost limitations, as well as sound engineer preferences (depending on different the type and size of the event) or audio program characteristics and regional style taste for subwoofer mixes.

**BASSO** Series models allow the user to choose the most adequate subwoofer for any given situation from within a family of products with common finish, design solutions and performance philosophy as well as shared rigging and transport accessories.

**BASSO18** is a high-density single 18" direct radiation subwoofer that delivers a very natural, linear response in the VLF range from 28 Hz up to 180 Hz. Built with 18" Premium birch plywood and fitted with a 2 mm steel grille, this medium format medium format cabinet is finished with IDEA Aquaforce weatherized coating to endure life on the road or stylishly integrate in any installation.

**BASSO18** seamlessly matches with 2-way loudspeakers in **LUA** and **EXO** Series maximizing the high-density performance of these systems for a wide range of portable, mobile and install professional sound reinforcement applications, from high power club sound systems and medium size live music events to rental and touring companies.

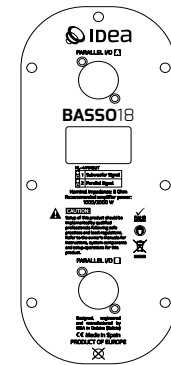


## SYSTEM CONFIGURATION AND SETTINGS

**BASSO18** back panel is fitted with a pair of Neutrik NL-4 connectors in parallel for straightforward, flexible installation setup.

### NL-4 PINOUT:

+/- 1	Subwoofer Signal
+/- 2	Parallel Signal



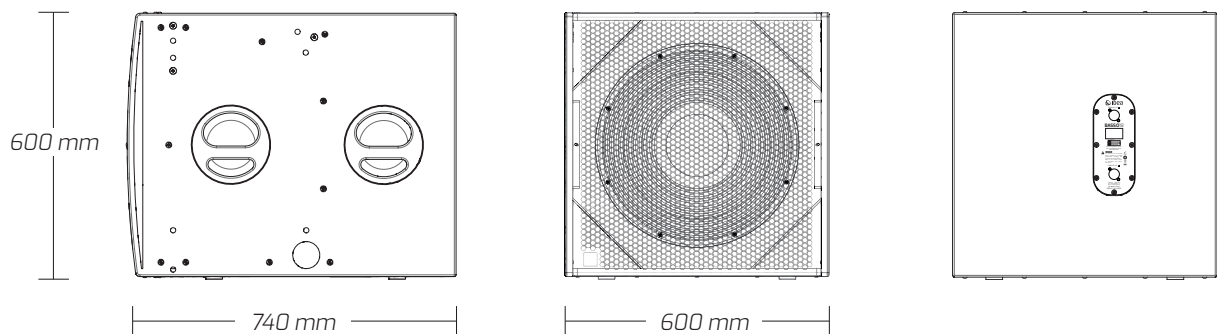
## RECOMMENDED SETTINGS

LPF@ 85 Hz				LPF@ 100 Hz				LPF@ 120 Hz				LPF@ 150 Hz			
Type	Freq	Q	Gain	Type	Freq	Q	Gain	Type	Freq	Q	Gain	Type	Freq	Q	Gain
Bell	75 Hz	5.0	0.80	Bell	55 Hz	3.0	0.40	Bell	90 Hz	7.5	-3.80	Bell	95 Hz	4.3	-4.50
Low Pass	120 Hz	0.8	--	Low Pass	130 Hz	0.8	--	Low Pass	160 Hz	0.8	--	Low Pass	190 Hz	0.6	--
Bell	35 Hz	2.5	0.20	Bell	35 Hz	2.5	0.20	Bell	35 Hz	2.5	0.20	Bell	35 Hz	2.5	0.20
Bell	75 Hz	6.0	0.70	Bell	75 Hz	8.0	-1.00	Bell	103 Hz	8.0	0.70	Bell	140 Hz	1.0	1.50
<b>HPF:</b>	20 Hz	Butterworth 12dB		<b>HPF:</b>	20 Hz	Butterworth 12dB		<b>HPF:</b>	20 Hz	Butterworth 12dB		<b>HPF:</b>	20 Hz	Butterworth 12dB	
<b>LPF:</b>	72 Hz	Butterworth 24dB		<b>LPF:</b>	88 Hz	Butterworth 24dB		<b>LPF:</b>	107 Hz	Butterworth 24dB		<b>LPF:</b>	130 Hz	Butterworth 24dB	

## TECHNICAL DATA

<b>Enclosure design</b>	Bass Reflex
<b>Transducers</b>	1 x 18"
<b>Power Handling (RMS)</b>	1.2 kW
<b>Nominal Impedance</b>	8 Ohm
<b>SPL (Continuous/Peak)</b>	131/137 dB SPL
<b>Frequency Range (-10 dB)</b>	28 - 100/120/150/180 Hz
<b>Frequency Range (-3 dB)</b>	34 - 85/100/120/150 Hz
<b>Dimensions (WxHxD)</b>	600 x 600 x 740 mm (23.6 x 23.6 x 29.1 in)
<b>Weight</b>	52 kg (114.6 lbs)
<b>Connectors</b>	2 x Neutrik speakOn NL-4 in parallel
<b>+/-1</b>	Input
<b>+/-2</b>	Link
<b>Cabinet Construction</b>	18 mm Plywood
<b>Grille</b>	2 mm perforated weatherised steel with protective foam
<b>Finish</b>	Durable IDEA proprietary Aquaforce paint coating process
<b>Handles</b>	4 integrated handles
<b>Feet/Skates</b>	4 rubber feet
<b>Installation</b>	36 mm Pole mount socket
<b>Accessories</b>	Riggin Frame (RF-600) Riggin System (RS-BASSO-L) Wheels (WH-04) 35 mm Pole (K&M-21336)

## TECHNICAL DRAWINGS







[www.ideaproaudio.com](http://www.ideaproaudio.com)



For further information scan the QR Code  
or refer to the following web address: [www.ideaproaudio.com/product-detail/basso18](http://www.ideaproaudio.com/product-detail/basso18)

IDEA is always in pursuit of better performance, greater reliability and design features.  
Technical specifications and minor finish details may vary without notice in order to improve our products.

©2022 - I MAS D Electroacústica SL

PoL A Trabe 19-20 15350 Cedeira (Galicia - Spain)