

INSTALLATION AND OPERATION MANUAL

MUSIC ALL 

PROFESSIONAL POWER AMPLIFIER

DDA-28



Important Safety Information

1. Read these instructions.
2. Keep these instructions.
3. Heed all warnings.
4. Follow all instructions.
5. Do not use this apparatus near water.
6. Clean only with dry cloth.
7. Do not block any ventilation openings. Install in accordance with the manufacturer's instructions.
8. Do not install near any heat sources such as radiators, heat registers, stoves, or other apparatus (including amplifiers) that produce heat.
9. Do not defeat the safety purpose of the polarized or grounding-type plug. A polarized plug has two blades with one wider than the other. A grounding type plug has two blades and a third grounding prong. The wide blade or the third prong is provided for your safety. If the provided plug does not fit into your outlet, consult an electrician for replacement of the obsolete outlet.
10. Protect the power cord from being walked on or pinched particularly at plugs, convenience receptacles, and the point where they exit from the apparatus.
11. Only use attachments/accessories specified by the manufacturer.
12. Use only with the cart, stand, tripod, bracket, or table specified by the manufacturer, or sold with the apparatus. When a cart is used, use caution when moving the cart/apparatus combination to avoid injury from tip-over.
13. Unplug this apparatus during lightning storms or when unused for long periods of time.
14. Refer all servicing to qualified service personnel. Servicing is required when the apparatus has been damaged in any way, such as power-supply cord or plug is damaged, liquid has been spilled or objects have fallen into the apparatus, the apparatus has been exposed to rain or moisture, does not operate normally, or has been dropped.
15. This appliance shall not be exposed to dripping or splashing water and that no object filled with liquid such as vases shall be placed on the apparatus.
16. Plug this apparatus to the proper wall outlet and make the plug to be disconnected readily operable.
17. Main plug is used as disconnected device and it should remain readily operable during intended use. In order to disconnect the apparatus from the mains completely, the mains plug should be disconnected from the mains socket outlet completely.
18. **WARNING:** To reduce the risk of fire or electric shock, do not expose this apparatus to rain or moisture.
19. An appliance with a protective earth terminal should be connected to a mains outlet with a protective earth connection.

Safety Warning

WARNING!

TO PREVENT FIRE OR SHOCK HAZARD, DO NOT USE THE PLUG WITH AN EXTENSION CORD, RECEPTACLE OR OTHER OUTLET UNLESS THE BLADES CAN BE FULLY INSERTED TO PREVENT BLADE EXPOSURE.

TO REDUCE THE RISK OF FIRE OR ELECTRIC SHOCK, DO NOT EXPOSE THIS APPLIANCE TO RAIN OR MOISTURE.

TO PREVENT ELECTRICAL SHOCK, MATCH WIDE BLADE PLUG TO WIDE SLOT, FULLY INSERT.



The lightning flash with arrowhead symbol, within an equilateral triangle, is intended to alert the user to the presence of uninsulated "dangerous voltage" within the product's enclosure that may be of sufficient magnitude to constitute a risk of electric shock to persons.

CAUTION

RISK OF ELECTRIC SHOCK
DO NOT OPEN

WARNING: TO REDUCE THE RISK OF ELECTRIC SHOCK, DO NOT REMOVE COVER (OR BACK). NO USER SERVICEABLE PARTS INSIDE. REFER SERVICING TO QUALIFIED SERVICE PERSONNEL.



The exclamation point within an equilateral triangle is intended to alert the user to the presence of important operating and maintenance (servicing) instructions in the literature accompanying the appliance.

Introduction

Features:

- Ideal for live performance, permanent installation and sound reinforcement systems.
- Switching power technology Class-D two channel power amplifier.
- Green technology with 95% efficiency, less power consumption, less heat generation and longer life span.
- With PWM special power circuit to ensure excellent cooling.
- 19" universal rack mount type in 1.5U height.
- Support stereo output at 8Ω, 4Ω & 2Ω and bridged output 8Ω & 4Ω.
- With bridge, parallel & stereo selector on front panel.
- Rated power output 2×1100W to 2×1800W @4Ω .
- Two inputs & two links by balanced XLR connector.
- Two outputs by balanced Speakon connector.
- LCD display shows mode (stereo, bridge) temp and volume level.
- LED indicators of fault, clip, signal and active.
- Complete protection includes DC, soft start, clip, high temp, overload and short circuit.
- Wide range power supply of AC 220-240V.

Model	DDA-28
Description	Class-D Stereo Power Amplifier
Rated Output 8 Ohm Stereo	2×800 W
Rated Output 4 Ohm Stereo	2×1200 W
Rated Output 2 Ohm Stereo	2×1000 W
Rated Output 8 Ohm Bridged	1200W
Rated Output 4 Ohm Bridged	1400W
Frequency Response	20-20 kHz (±1 dB)
Input Sensitivity	0.775V
Input impedance	20 KΩ balanced, 10 KΩ unbalanced
Damping Factor	> 550(1 kHz, 8Ω)
Crosstalk	> 100dB (1 kHz, 8Ω)
THD	< 0.05%, 8Ω 1KHz
S/N Ratio	> 105dB
Input	A & B balanced XLR inputs & Link
Output	A & B balanced Speakon outputs
Protection	DC, soft start, clip, high temp, overload and short circuit
Power Supply	220-240V AC~ 50-60 Hz
Dimension	484×290×66 mm (1.5U)
Weight	5.8kg

Front Panel



1. Channel A heat dissipation port
2. Channel B heat dissipation port
3. Channel A Volume Attenuator
4. Channel B Volume Attenuator
5. Stereo button
6. Parallel button
7. Bridge button
8. Power On/Off switch
9. Temperature, mode, volume display buttons

Remark:

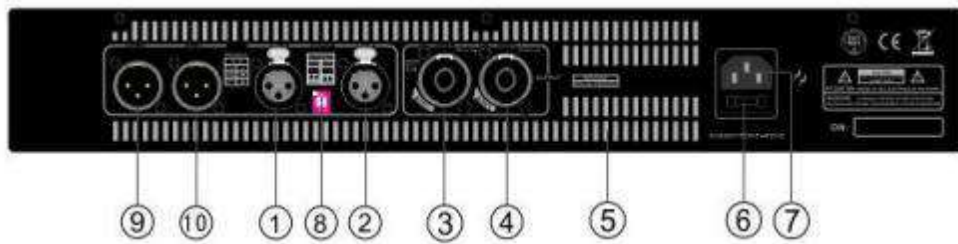
PROT: Protection indicator (it can be turned on after startup, and automatically extinguished after 5 seconds, indicating that the device is normal)

CLIP: Distortion light (when the distortion light shines, it indicates that the device has reached the rated power output)

SIG: Signal indicator light (When there is signal input in the corresponding channel, the signal light flashes, indicating that the device is normal)

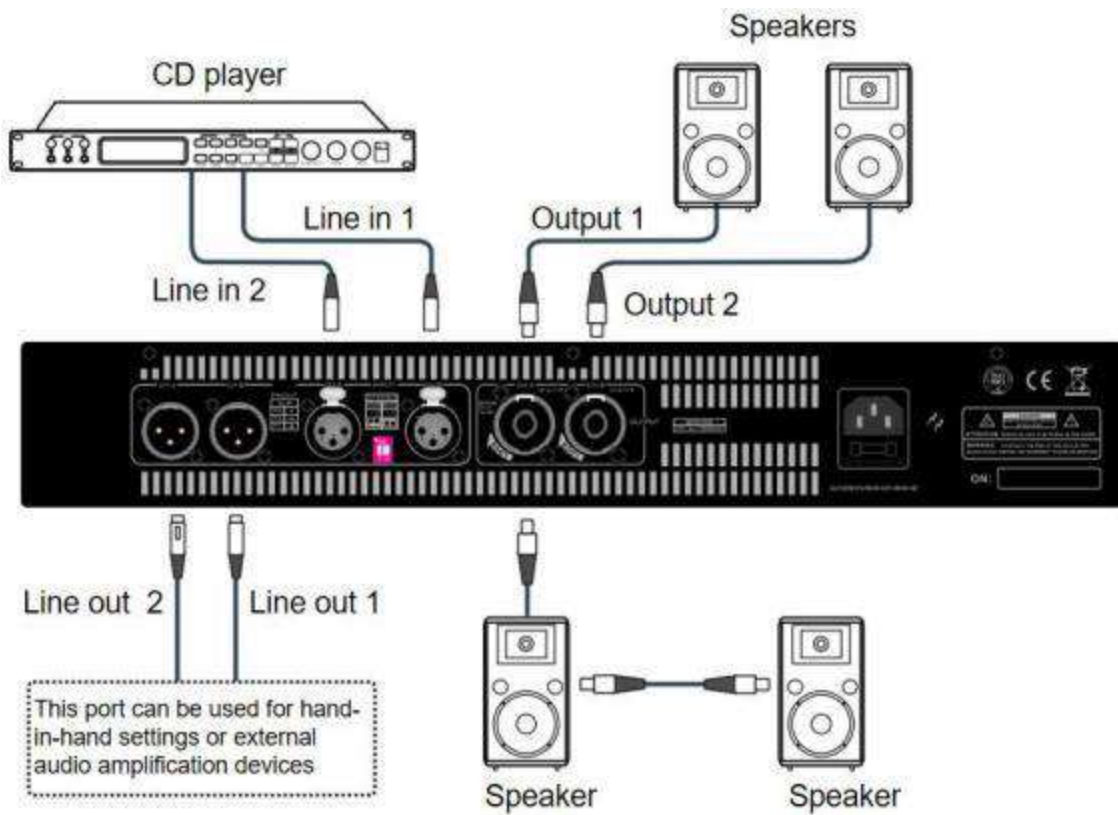
POWER: Power indicator

Rear Panel



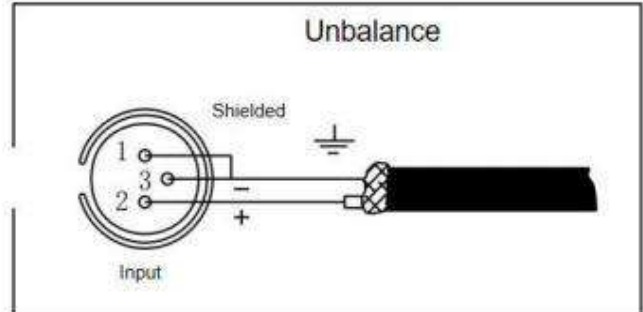
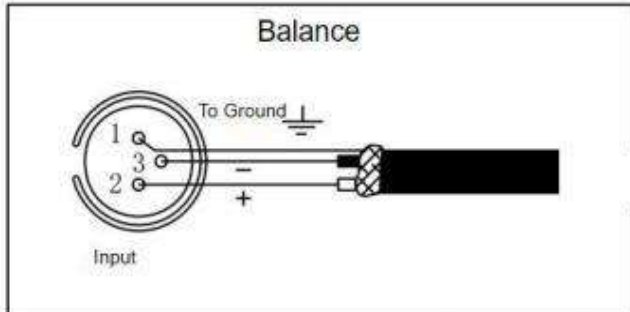
1. Channel A female input
2. Channel B female input
3. Channel A output
4. Channel B output
5. Heat dissipation port
6. Fuse
7. AC Power
8. Power switchable DIP
9. Channel A male XLR input
10. Channel B male XLR input

Connection:



Notes

1. Use high quality speaker to connect the power amplifier.
2. Use shielded cable to connect audio player. Below image is the instruction how to use balanced or unbalanced cables.



3. Ensure that the correct voltage and sufficient current are provided. Do not use the amplifier under outside the range of below and above 10% of the rated voltage.
4. Stereo: When using stereo mode, the mode switch is set to STEREO, and the signals are input from CHA and CHB respectively. The outputs correspond to 1+/1- or the corresponding terminals of the quad socket (the red column represents the positive pole, and the black column represents the negative pole)
5. Parallel: When using parallel connection mode, the mode switch is set to PARALLEL, and the signal only needs CHA input. Both channels have signals, and the two volume knobs on the panel independently control the output. The output corresponds to 1+/1- or the corresponding terminal of the four core socket (the red column represents the positive pole, and the black column represents the negative pole)
6. Press and hold the selected mode to lock the setting. Press and hold a mode button to unlock.

Warranty

Warranty terms of global three years. While the term and warranty may vary by country and may not be the same for all products. Terms and conditions of warranty for a given product may be determined first by locating the appropriate country which the product was purchased in, then by locating the product type.



@Copyright 2022. All Rights Reserved.

DATEQ International B.V.
De Paal 37, 1351 JG Almere, Netherlands
Tel: + 31 36 5472222

E-mail: info@dateq.nl
Internet: www.dateq.nl
Chamber of Commerce: 84615559